

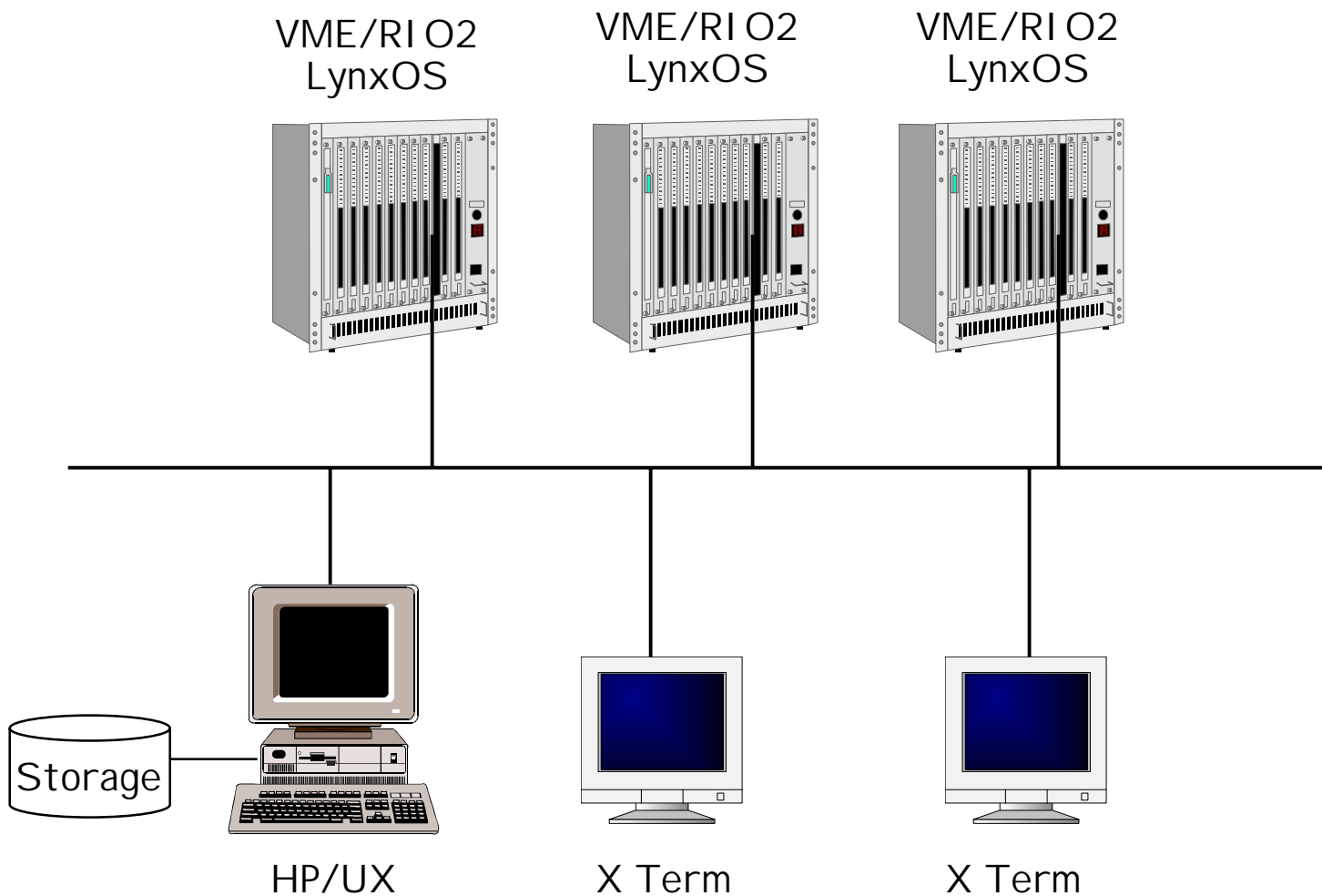
Test Beam Controls Upgrade

Status and Plans

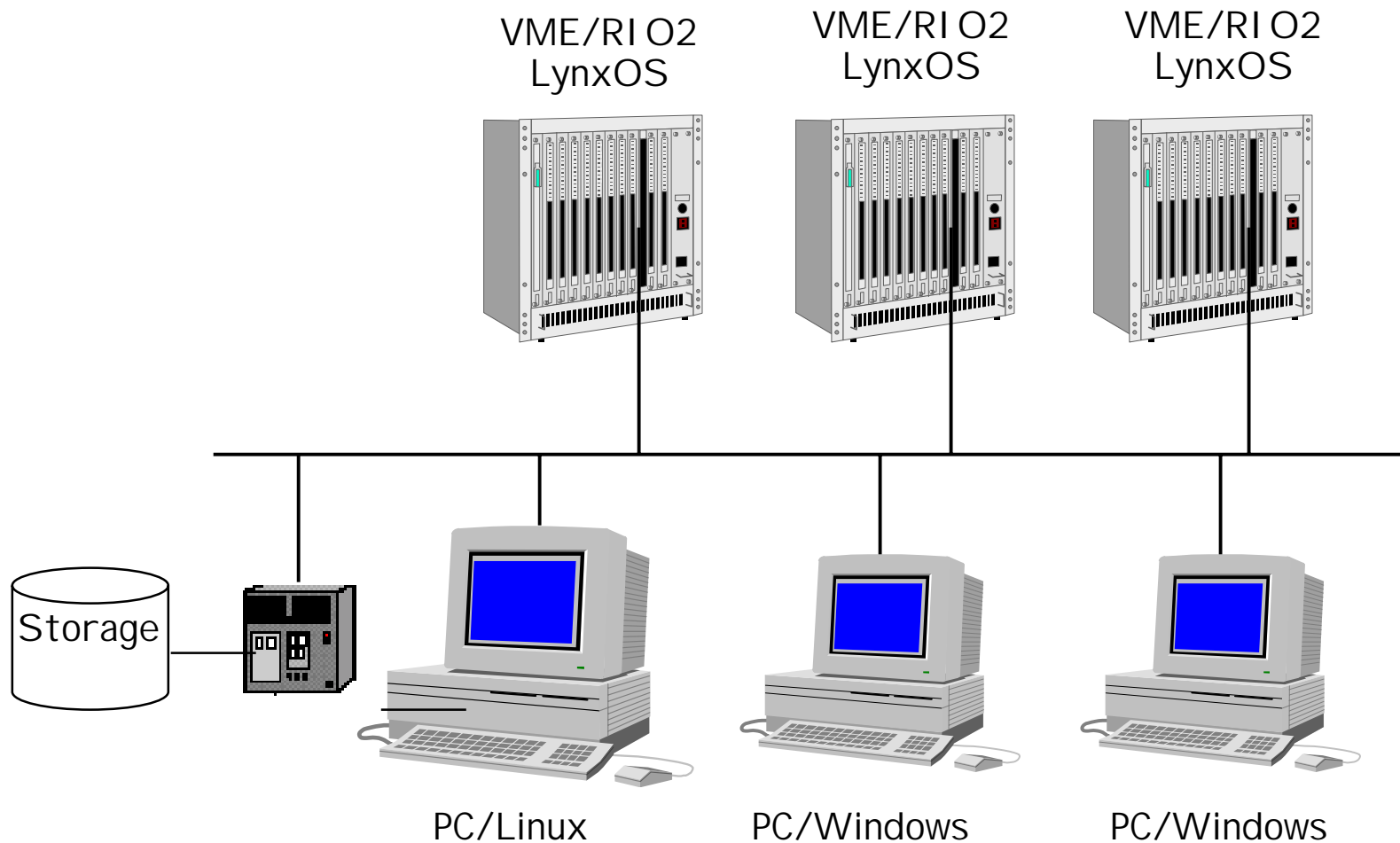
*Clara Gaspar,
December 2000*

- HP Stations are not recommended platforms anymore
- Cascade is not supported anymore
- ➔ Replace cascade Run Control by the Controls Framework
- Provide better support to Test Beam activities
- Gain experience with SCADA and the Control Framework

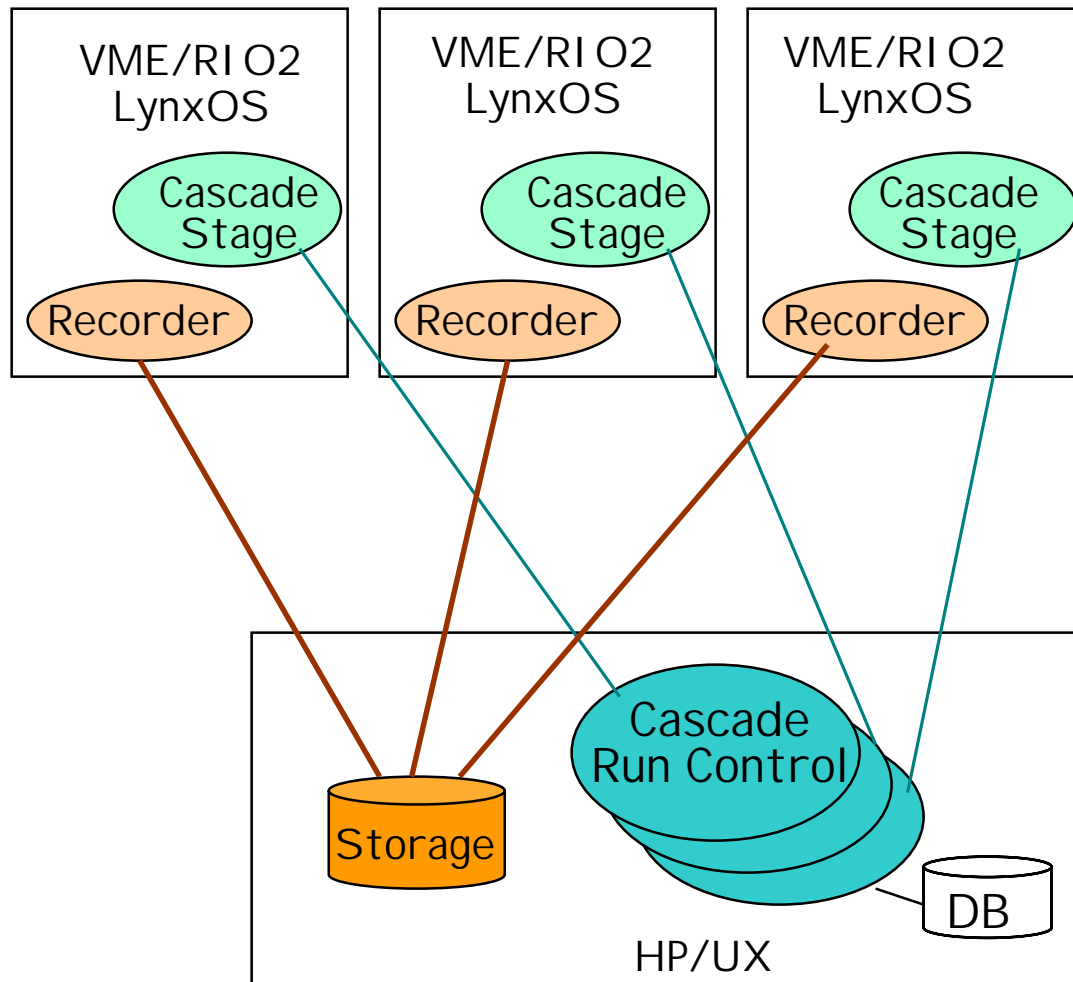
Old HW Configuration



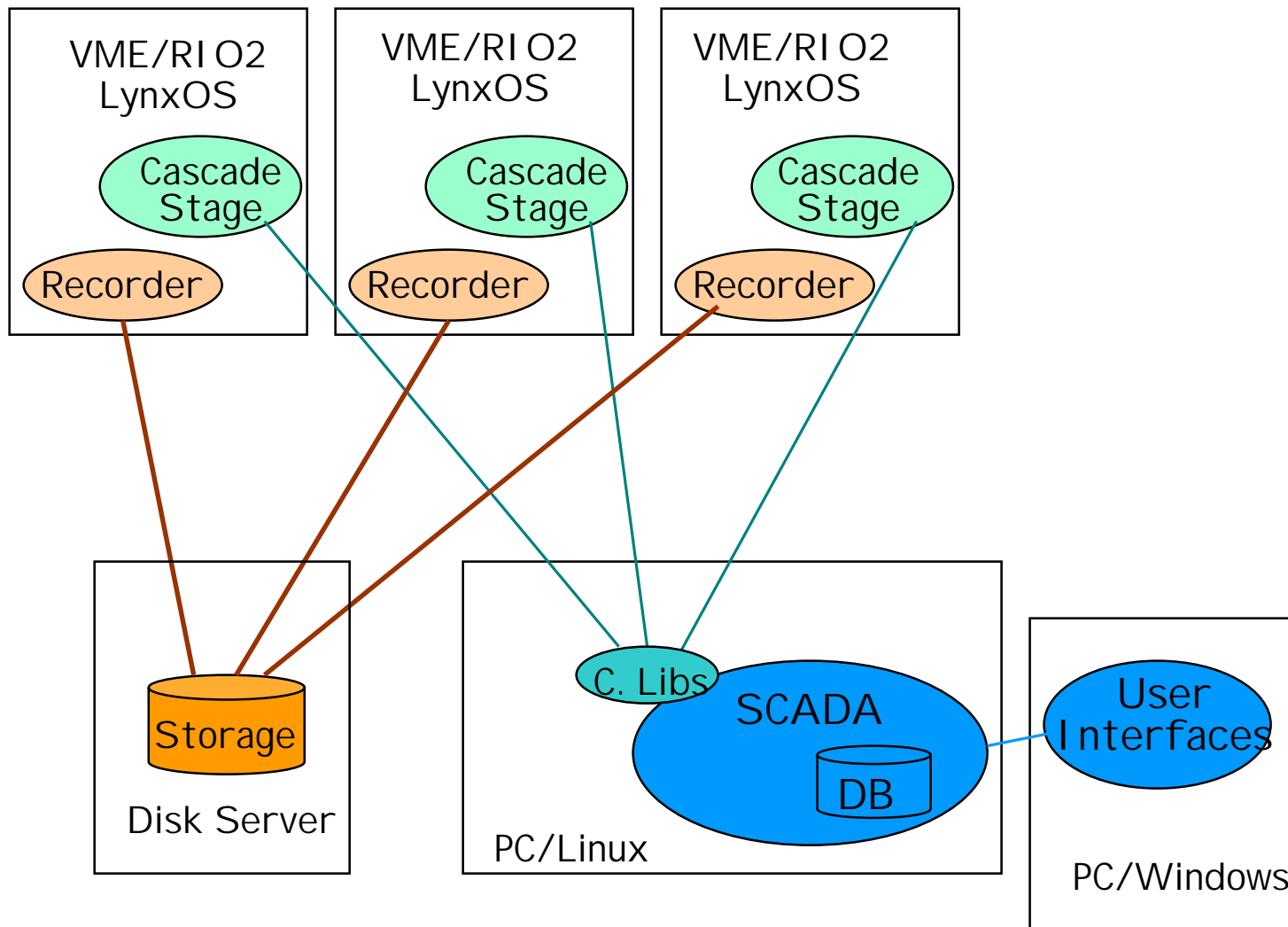
New HW Configuration



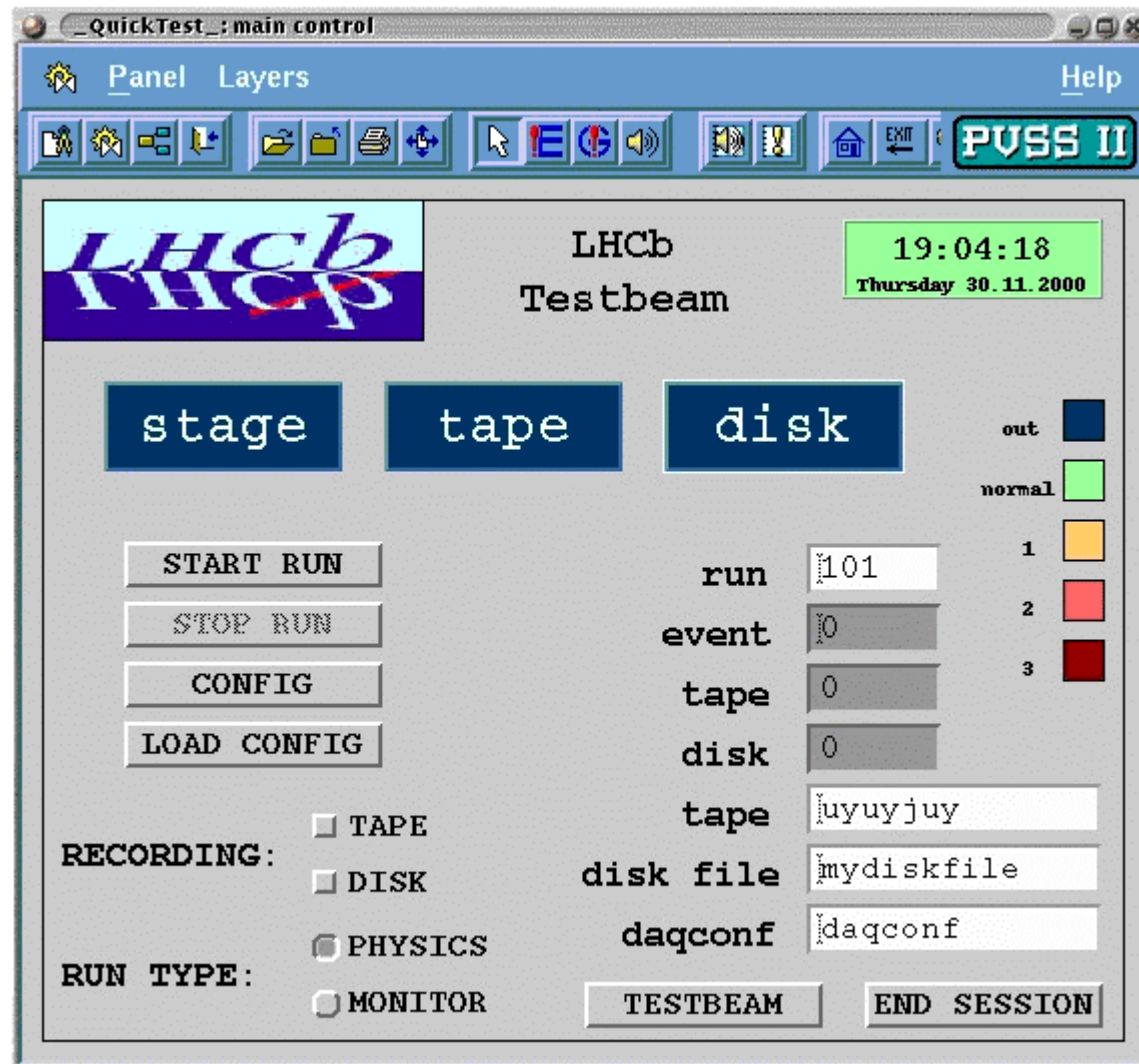
Old SW Configuration



New SW Configuration



Prototype Control Panel



Configuration Panels

config_script: script configuration

Panel Layers Help

LHCb
Testbeam
Configuration

19:10:27
Thursday 30.11.2000

directory

stage name

stage start

stage log

disk name

disk start

disk log

tape name

tape start

tape log

END CONFIG

config_network: network configuration

Panel Layers Help

LHCb
Testbeam
Configuration

19:09:31
Thursday 30.11.2000

RC host

target host

user name

rc domain

update frequency

END NETWORK CONFIG

■ Status

- SCADA system configured
- Communications with Stages being finalized
- Some panels developed

■ Plans

- Possibly also upgrade the LynxOS Stages
- Help including user "Slow Controls" devices

■ Surely ready for next year startup

- For suggestions contact Richard.Beneyton@cern.ch
- Richard will present it at the next LHCb week
- We will be attentive to user comments/feedback