
Status of GAUDI Framework

16 March 1999

P. Mato, CERN

Release v2 planning

ID	Task Name	February				March				April				May		
		1/2	8/2	15/2	22/2	1/3	8/3	15/3	22/3	29/3	5/4	12/4	19/4	26/4	3/5	
15	Development Release 2															
16	Bug Fixes of Release 1															
21	Enhancements															
44	Detector Description															
48	Writable Storage															
53	User Interface and Visualization															
60	Libraries															
63	Software Development Environment															
67	Release notes & Doc update															
68	Release v2															

Release v2 details(1)

ID	Task Name	February				March				April				May		
		1/2	8/2	15/2	22/2	1/3	8/3	15/3	22/3	29/3	5/4	12/4	19/4	26/4	3/5	
16	Bug Fixes of Release 1															
17	Crash when accessing MC Rich hits															
18	Data service full path															
19	RFIO for NT															
20	Detector Geometry wrapper															
21	Enhancements															
22	Fortran Algorithm in GAUDI															
23	Write back to Zebra store															
24	Changes in Algorithm class															
25	Extensions of Event data path (numb)															
26	New Event Data converters															
27	Data service pre-load capability															
28	Particle info service															
29	Message Service															
32	Histograms															
36	Selectors															
40	Documentation															

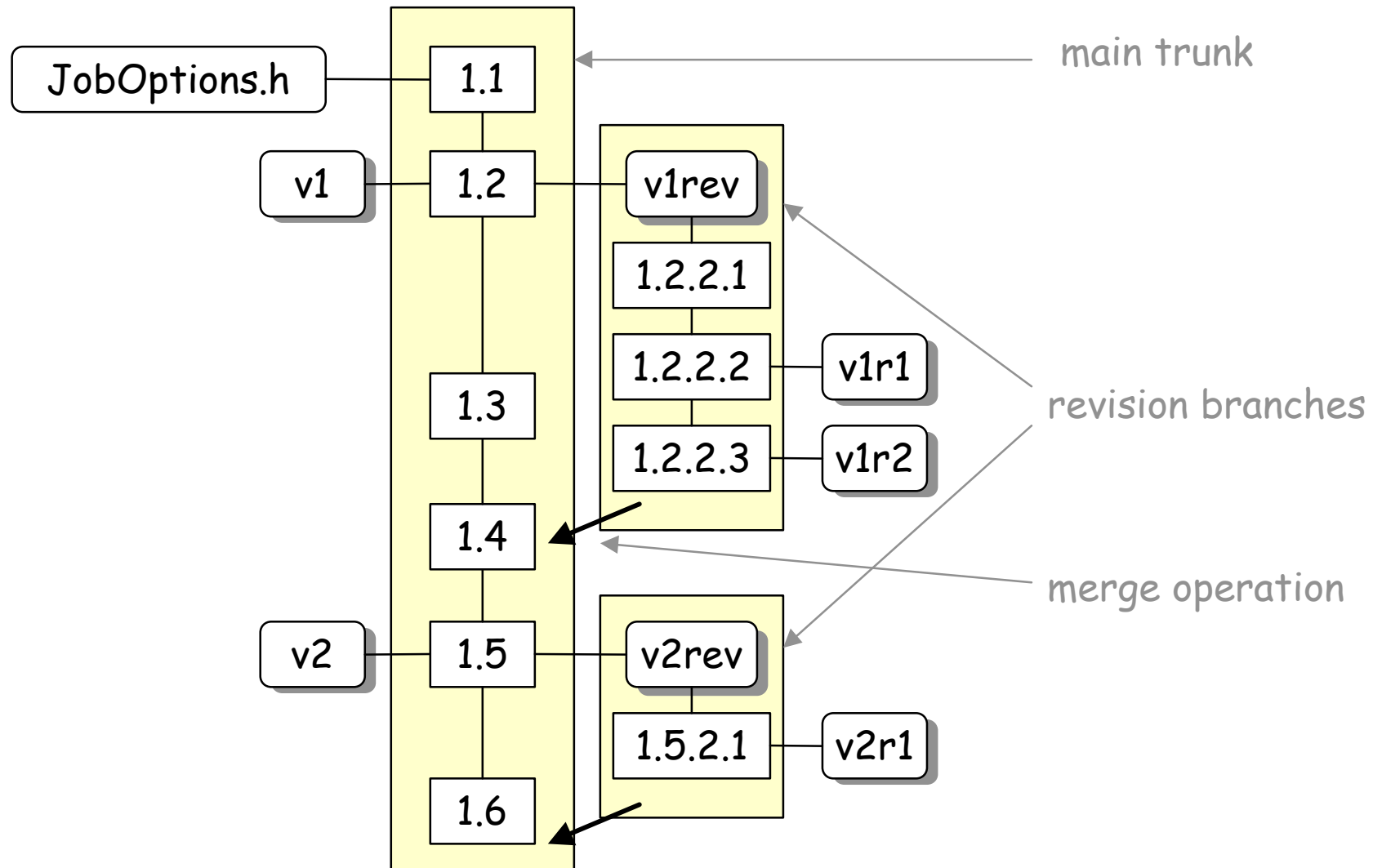
Release v2 details(2)

ID	Task Name	February				March				April				May		
		1/2	8/2	15/2	22/2	1/3	8/3	15/3	22/3	29/3	5/4	12/4	19/4	26/4	3/5	
44	Detector Description	[Progress bar from Feb 15 to Apr 12]														
45	Collect requirements	[Task bar from Feb 15 to Feb 22, RC]														
46	Design Model	[Task bar from Mar 1 to Mar 22, PB, PMy, PM, RC]														
47	Implementation	[Task bar from Apr 12 to Apr 19, RC]														
48	Writable Storage	[Progress bar from Feb 15 to Apr 12]														
49	Using ROOT files	[Progress bar from Feb 15 to Apr 12]														
50	Design Model	[Task bar from Feb 15 to Mar 1, MF, PM]														
51	Get RIO software	[Task bar from Feb 15 to Feb 22, MF, GB]														
52	Integrate inside GAUDI	[Task bar from Mar 1 to Mar 22, MF]														
53	User Interface and Visualization	[Progress bar from Feb 15 to Apr 12]														
54	Using Wired/Jas	[Progress bar from Feb 15 to Mar 1]														
56	Using Open Scientist	[Progress bar from Feb 15 to Apr 12]														
58	Using Root	[Progress bar from Feb 15 to Feb 22]														
60	Libraries	[Progress bar from Feb 15 to Mar 1]														
61	Numerical Libraries	[Task bar from Feb 15 to Feb 22]														
62	Minimization Libraries	[Task bar from Mar 1 to Mar 8]														
63	Software Development Environment	[Progress bar from Feb 15 to Mar 1]														
64	Bug tracking tool	[Task bar from Mar 1 to Mar 8, MC]														
65	CMT deployment	[Task bar from Feb 15 to Feb 22, FR]														
66	Code Management (branches)	[Task bar from Mar 1 to Mar 8]														

Changes on the software development environment

- ◆ CVS
 - Source code management system: UNIX and NT.
 - We are using a single CVS repository in AFS for UNIX and NT.
 - Visual SourceSafe no longer the master copy for Gaudi code.
- ◆ CMT:
 - Configuration Management Tool: UNIX.
 - All GAUDI packages under CMT
 - Instructions available in the Web

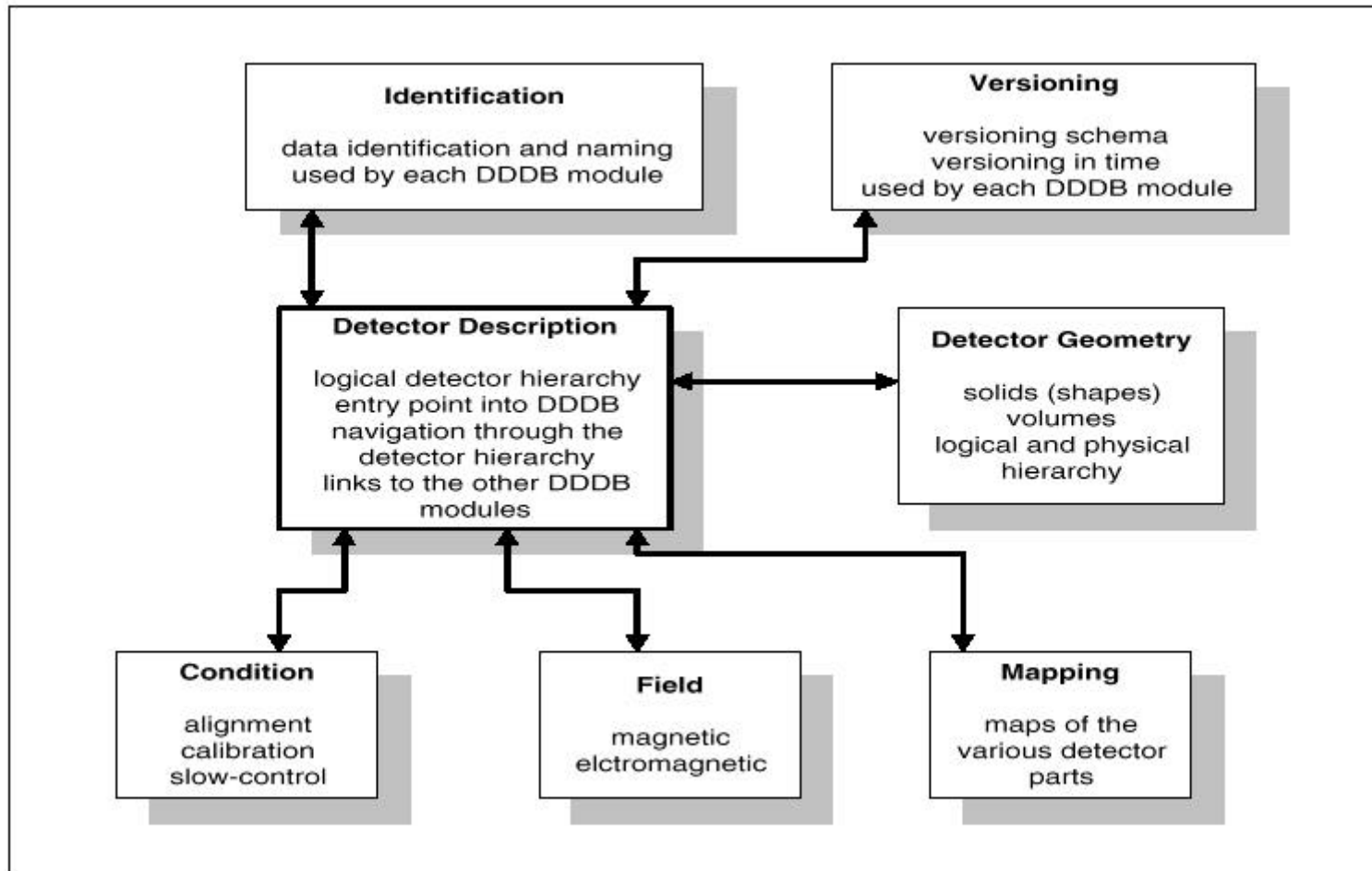
Code Management



Detector Description

- ◆ Requirement document being written
 - Scope definition.
 - Collect use cases by interviewing end-users.
 - Understanding existing solutions (G4, Alice, Babar,...)
- ◆ Designing a model
 - A detector independent model will be designed inspired by exiting solutions and versioning systems like CVS.
- ◆ Implementation within GAUDI

Detector Description



Writable storage

- ◆ Implementation based on Rio (Root I/O)
 - Problems with the first version (crashes) of Rio.
 - Need to add Trees and Branches to fully exploit the goodies of Root.
- ◆ Status
 - Work is well advanced
 - Prototype exists